
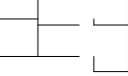
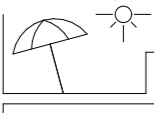
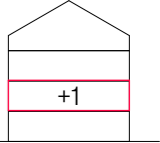
 2	 1	 90.5 m ²
 14.3 m ²	 +1	

